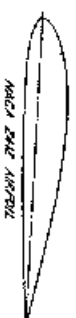


ALCORN ARMY

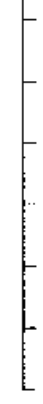


AIRPLANE SPECIFICATIONS

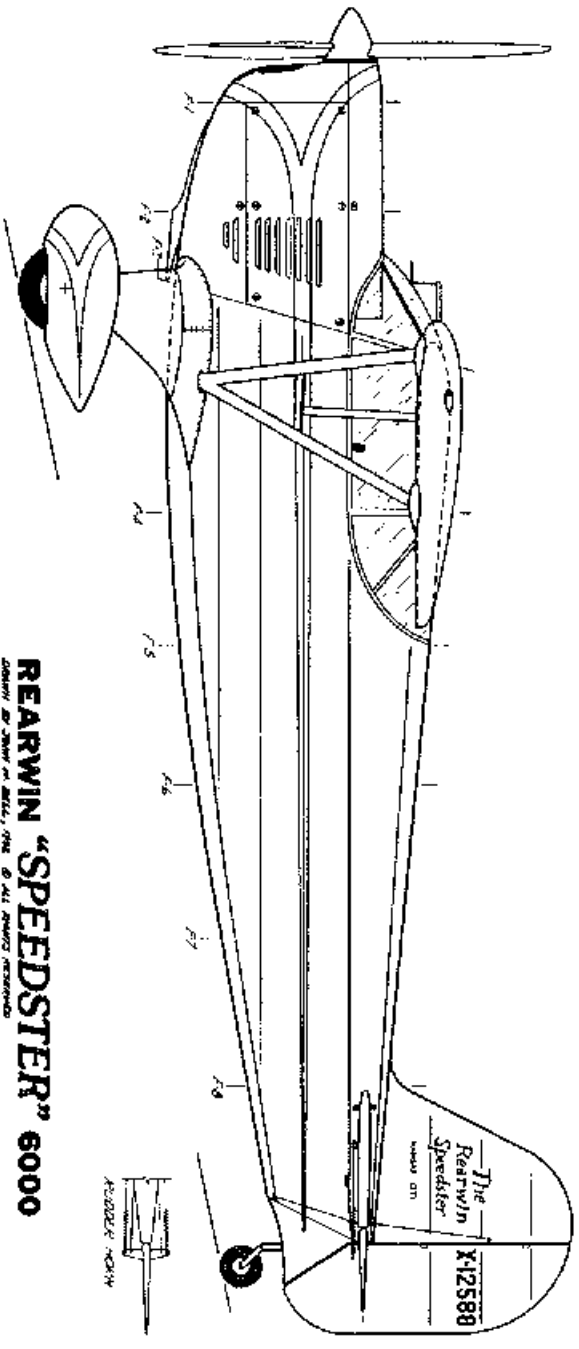
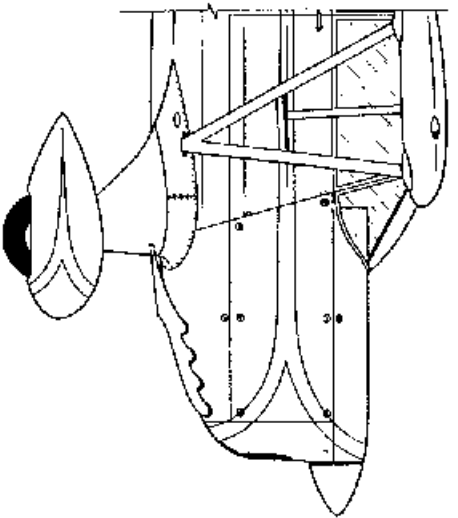
WING SPAN	22' 0"
LENGTH	17' 0"
HORIZONTAL SPAN	14' 0"
WING AREA	148.50 SQ. FT.
WING LOADING	11.82 LB./SQ. FT.
EMPTY WEIGHT	1752 LBS.
USEFUL LOAD	445 LBS.
GROSS WEIGHT	2197 LBS.
FUEL CAPACITY	36 GALS.
OIL CAPACITY	1.5 GALS.
MAXIMUM SPEED	144 MPH.
CRUISING SPEED	120 MPH.
LANDING SPEED	30 MPH.
RATE OF CLIMB	500 FPM.
CRUISING RANGE	600 MI.
POWER PLANT	50" AMERICAN GARUDA "H" TYPE
PROPELLER	36" HAMILTON STANDARD

COLORS:
YELLOW WITH GREEN STRIPE BLENDED IN GOLD.
GREEN NUMBERS.

Length - 17' 0"



WING SPAN



The Rearwin Speedster
Model 6000
X-12588

ALCORN ARMY

REARWIN "SPEEDSTER" 6000

DESIGNED BY JOHN W. REARWIN, OWNER © ALL RIGHTS RESERVED