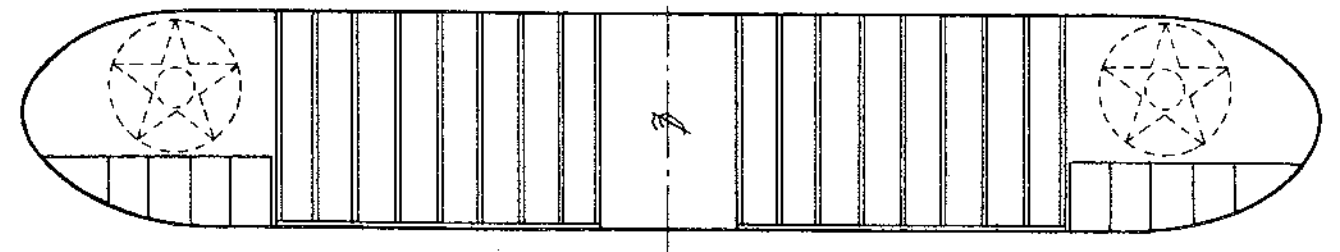
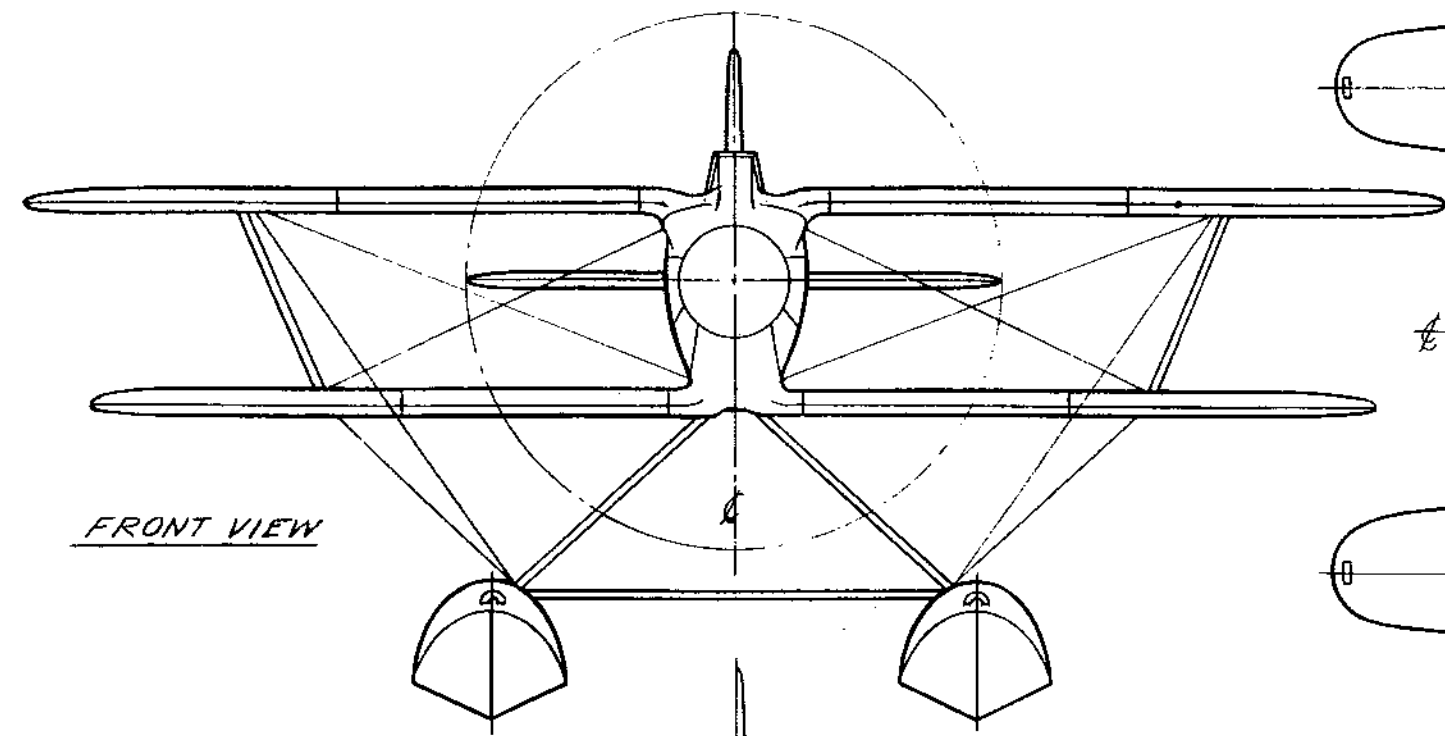


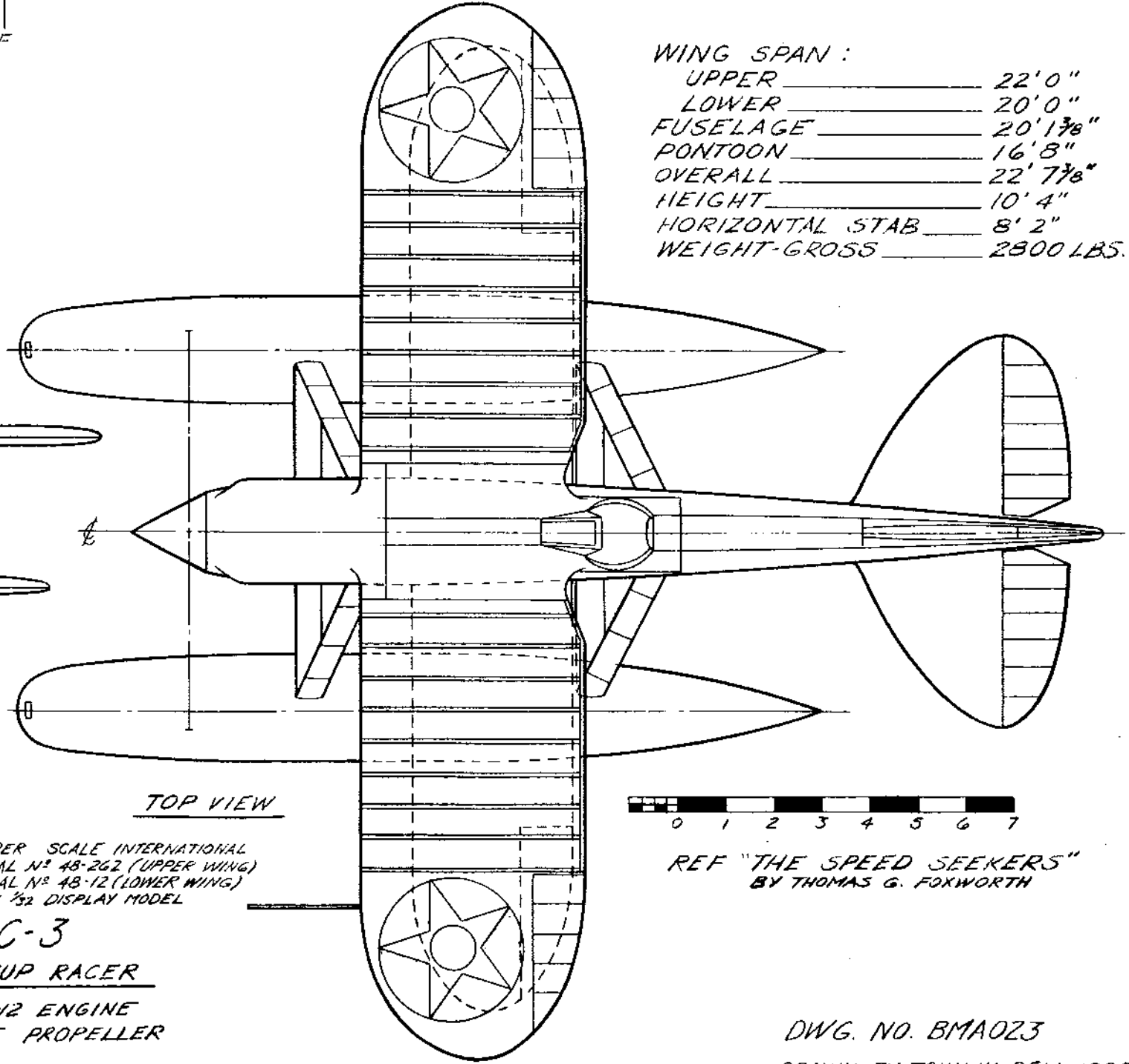
SIDE VIEW



LOWER WING PROFILE



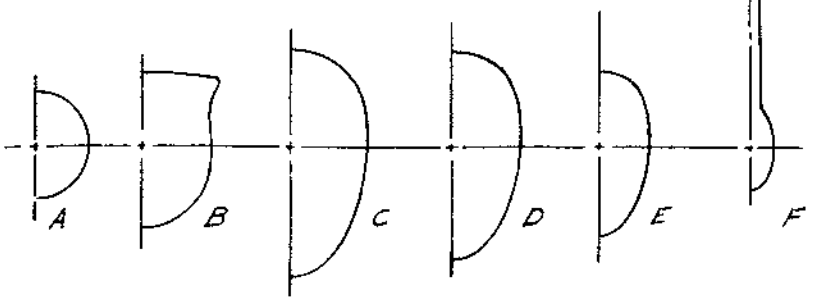
FRONT VIEW



TOP VIEW

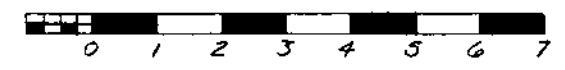
WING SPAN :

UPPER	22' 0"
LOWER	20' 0"
FUSELAGE	20' 1 7/8"
PONTOON	16' 8"
OVERALL	22' 7 7/8"
HEIGHT	10' 4"
HORIZONTAL STAB	8' 2"
WEIGHT-GROSS	2800 LBS.



SUPER SCALE INTERNATIONAL
 DECAL N° 48-262 (UPPER WING)
 DECAL N° 48-12 (LOWER WING)
 FOR 1/32 DISPLAY MODEL

CURTISS R3C-3
USN 1926 SCHNEIDER CUP RACER
 1 PACKARD 2A 1500 V-12 ENGINE
 CURTISS REED 2 BLADE PROPELLER



REF "THE SPEED SEEKERS"
 BY THOMAS G. FOXWORTH

DWG. NO. BMA023
 DRAWN BY JOHN W. BELL 1980